



**TECHNICAL DATA KIT**

MAX FLOW [M3/H]	16
MAX FLOW (LPM)	266
MAX HEAD	65
WORKING AIR TEMP	0°C – 40°C
LIQUID TEMPERATURE	-15°C – 120°C
MAXIMUM PUMP PRESSURE	33 Bar

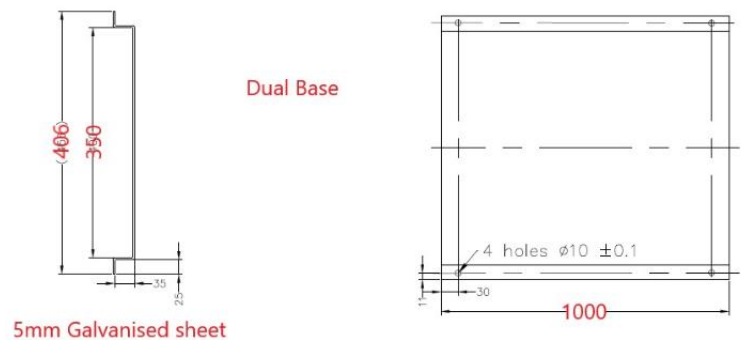
**PER PUMP SPECIFICATIONS**

RATED VOLTAGE CURRENT	Single Phase 230V +10% - 6%
RATED CURRENT	7.66 AMPS
POWER (KW)	2.2 kW 2 Pole
CAPACITOR	200uF start, 35uF run
MOTOR IP RATING	IP55
MOTOR INSULATION	Class F
MOTOR EFFECIENCY STD	IE3
MOTOR EFFECIENCY	85.9%
COS $\phi$	0.85
MECHANICAL SEAL	AS-L-12
OUTLET DIN FLANGE	DN40

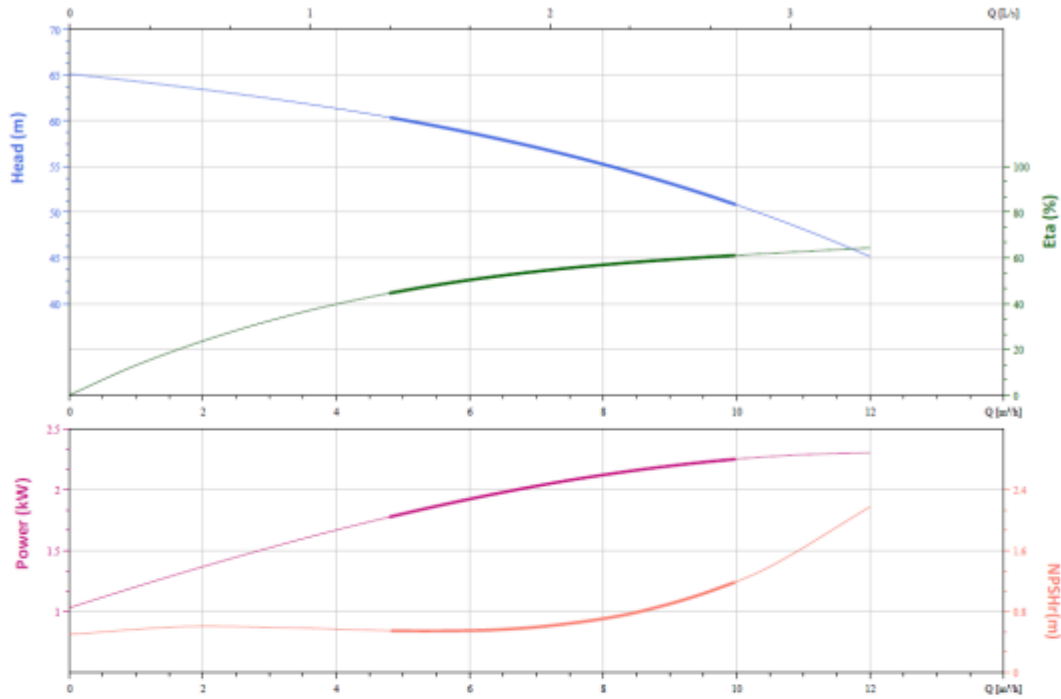
**INCLUDES**

- VMS Pump
- NXT Drive (Variable Frequency Drive)
- Counter Flange (In DN25 to DN65)
- Fiber Gasket to suit counter flanges
- Watermarked Spring Check Valve
- Manifold (304 Stainless Steel)
- Pressure Transducer
- 30 Bar Liquid Filled Pressure Gauge
- Galvanised Single/Double/Triple
- Ball Valve (304 Stainless Steel)
- Pressure Tank Included in Scope of Supply
- Braided Hose 20 Bar 1.5m 1" BSPF (10/6 only)

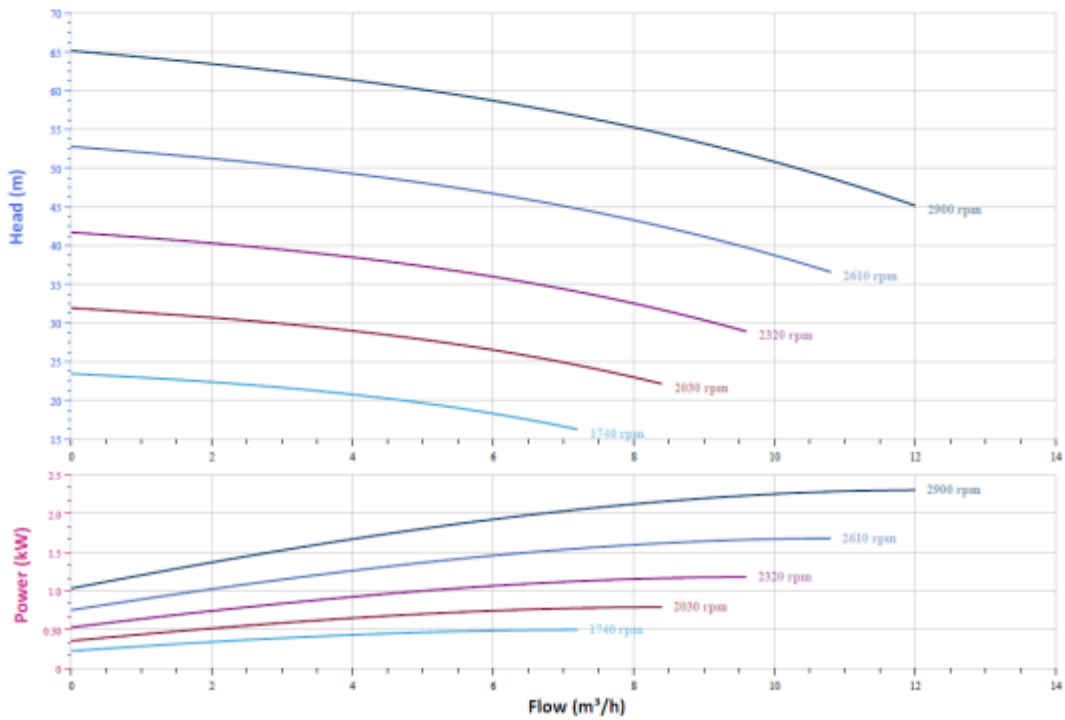
**DIMENSIONS**



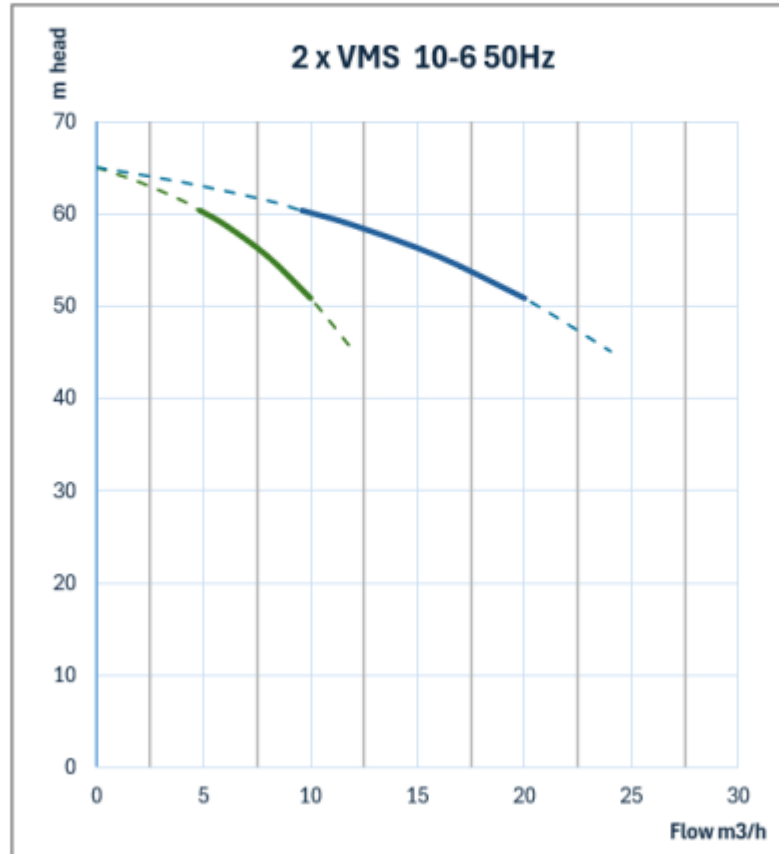
**CURVE**



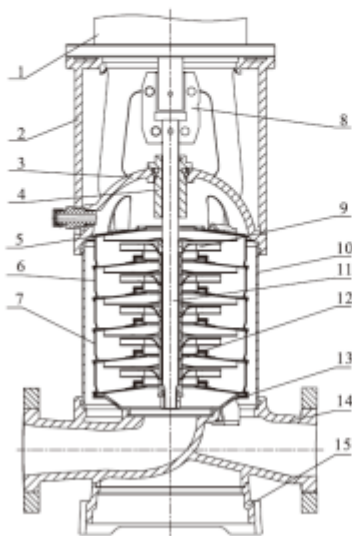
**VFD CURVE**



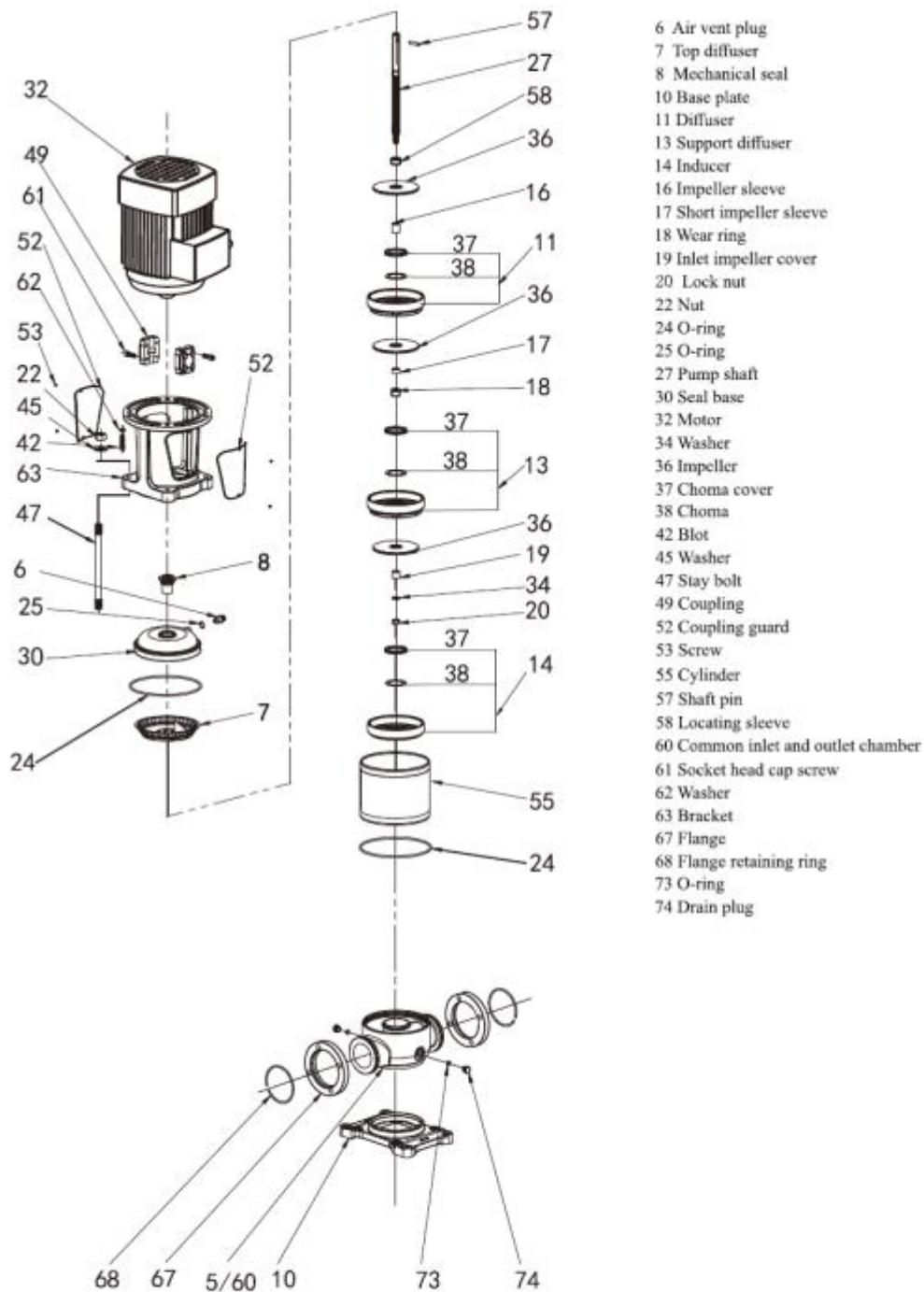
**DUAL PUMP CURVE**



**CUTAWAY AND MATERIALS**



1	Motor	/
2	Bracket	Ductile Cast Iron
3	Seal Base	Stainless / Ductile Cast Iron
4	Mechanical Seal	AS-L-16
5	Top Diffuser	Stainless Steel
6	Diffuser	Stainless Steel
7	Support Diffuser	Stainless Steel
8	Coupling	Stainless Steel
9	Impeller	Stainless Steel
10	Cylinder	Stainless Steel
11	Shaft	Stainless Steel
12	Intermediate Bearing	SiC / WC
13	Inducer	Stainless Steel
14	Inlet/Outlet Chamber	Stainless Steel / Ductile Cast Iron
15	Base	Ductile Cast Iron



### WARRANTY / CERTIFICATIONS

